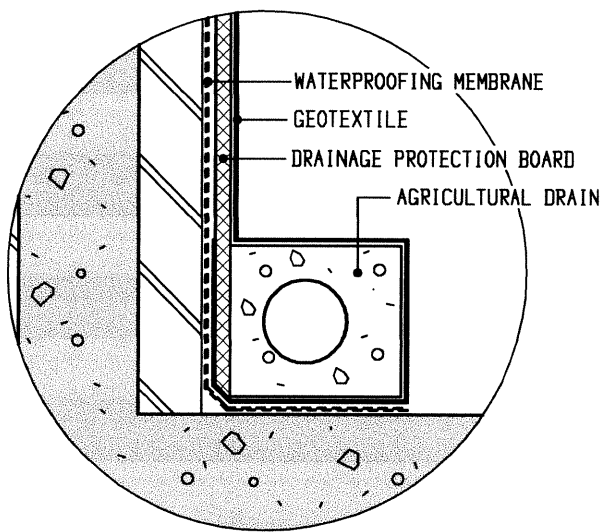


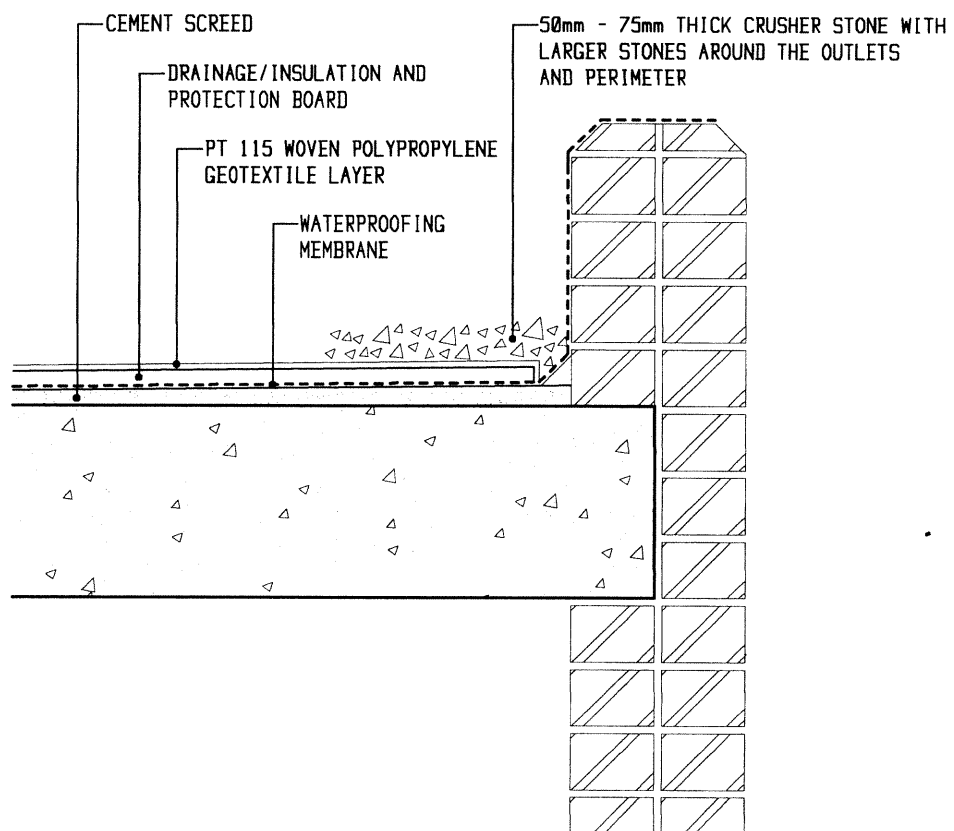
RETAINING WALL DETAIL
TO TIE DRAINAGE BOARD
TO AGRICULTURAL DRAIN

SCALE 1:20



DETAIL 'A'

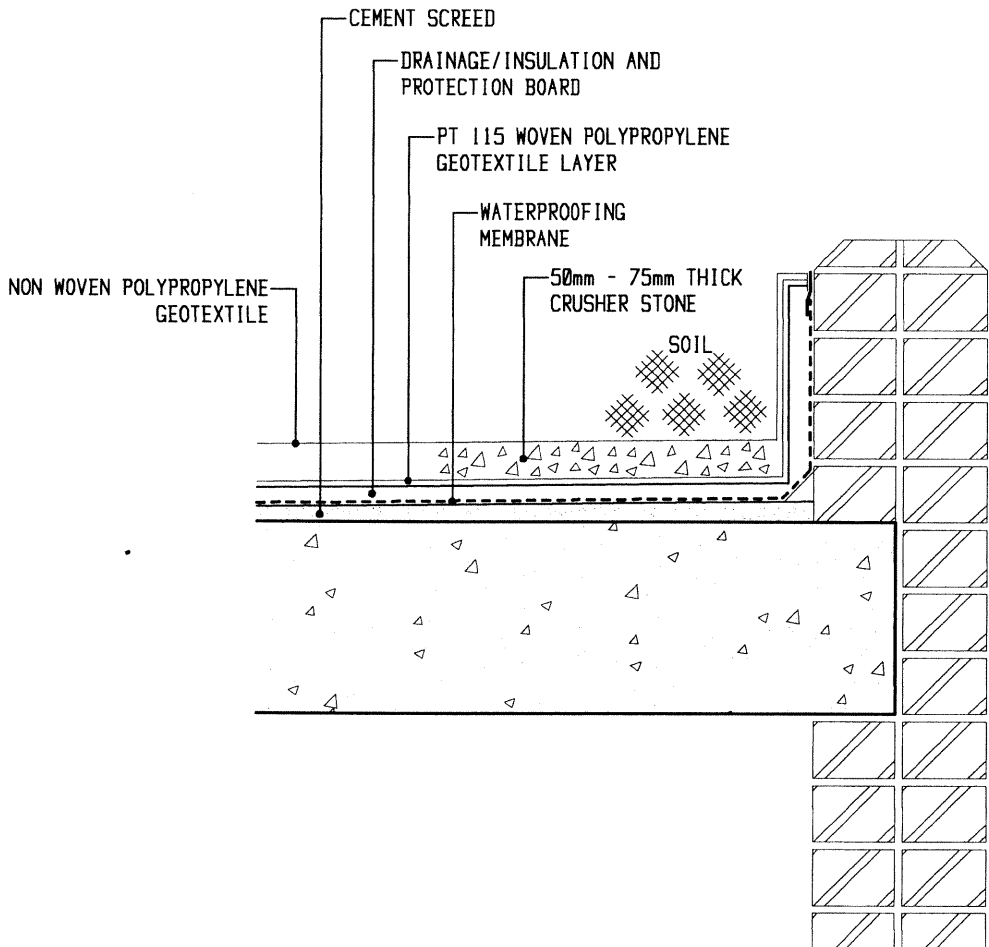
SCALE 1:10



INVERTED ROOF WATERPROOFING WITH
DRAINAGE INSULATION AND PROTECTION BOARD

SCALE 1:10

WATERPROOFING DETAIL 'B'



ROOF GARDEN / LANDSCAPE AREAS

SCALE 1:10

WATERPROOFING DETAIL 'A'